

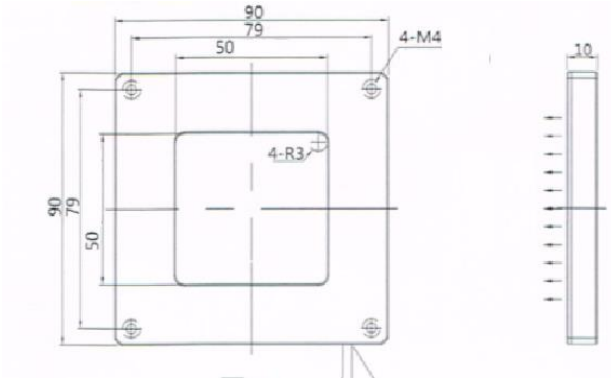


Flat dome light

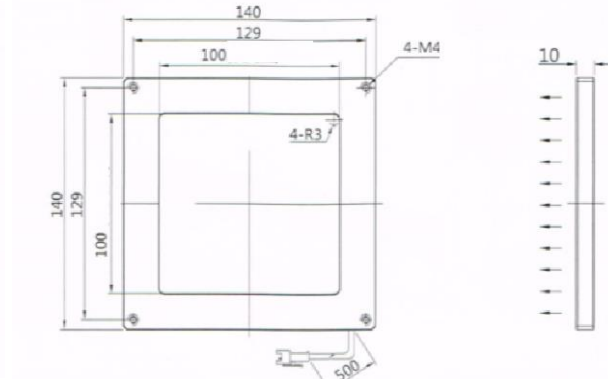
Item	Model	Power consumption (W)		Light area mm.
		W/G/B	R	
1	KC-FDS50-W/G/B/R	3.6	3.6	50 x 50
2	KC-FDS100-W/G/B/R	11.0	7.2	100 x 100
3	KC-FDS150-W/G/B/R	15.0	11.0	150 x 150
4	KC-FDS200-W/G/B/R	22.0	15.0	200 x 200

Dimension

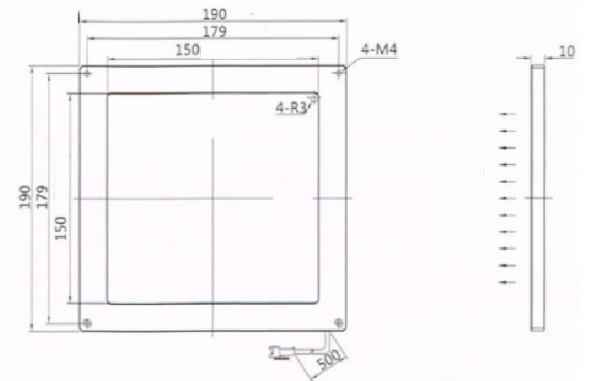
KC- FDS50



KC- FDS100



KC- FDS150



KC- FDS200

